

PHMH602114, PHMH602214, PHMH602014 Phantom Dual 315W CMH System w/4200K Philips Lamps, 277 - 347V

The Phantom Dual CMH High Voltage System is a highly versatile fixture that allows you to run multiple ballast positions. The dual reflectors can be used in the standard position or rotated 90 degrees downward to give a low-profile hanging configuration that is ideal for tight spaces. The reflectors feature premium multifaceted 95% reflective European hammetone aluminum, giving excellent light uniformity and diffusion.

Phantom Dual 315W CMH w/4200K Lamps, 277-347V

Model	PHMH602114, PHMH602214, PHMH602014
Lamp	Philips 4200K
Lamp Output	1124 μmol/s
Lamp Lifetime	20,000 hours
Reflector	Enclosed SE CMH
Reflector Material	EU Aluminium 99.85% pure, 95% reflectivity
Ballast	Phantom Dual 315W CMH
Ballast Housing Material	Aluminum
Armature Material	Aluminum
Socket	PGZX18
Fixture Weight	14.1 lbs

Phantom Dual 315W CMH Ballast Electrical Specifications

Model	PHMH602114, PHMH602214, PHMH602014
Lamp Power	315W (x2)
Main Voltage	277-347V
Operating Voltage Range	249-382V
Max Input Power	750W
Output Power Settings	60-85-100-105%
Power Factor	≥ 0.97
Frequency	50/60Hz
Igniter Voltage	3-5 kV
THD	15%
CF	< 1.6
ta	40°C/104°F
tc	80°C/176°F

Phantom Dual 315W CMH Input Amperage Reference

Voltage	277V	347V
Imax	2.8A	2.2A
105%	2.7A	2.1A
100%	2.6A	2.0A
85%	2.2A	1.8A
60%	1.6A	1.3A

Phantom Dual 315W CMH Ballast Features

Microprocessor Control	Yes
LED Status Indicator	Yes
Open Circuit Protection	Yes
Open Circuit Indicator	Yes
Short Circuit Protection	Yes
Short Circuit Indicator	Yes
Overtemperature Protection	Yes
Overtemperature Indicator	Yes
End-of-Lamp-Life Sensor	Yes
Over/Undervoltage Protection	Yes
Over/Undervoltage Indicator	Yes
Patented Ignition Control	Yes
USB Port to Integrate with PX1	Yes
Auto-restrike Protection	Yes
Internal EMI Suppression	Yes
Wieland RST 3P Male	Yes

Phantom Dual 315W CMH Safety Certifications

ETL	Yes
FCC Commercial	Yes
FCC Residential	No
UL	No
IC	Yes

Phantom Dual 315W CMH Operation Notes

For use with a generator, line conditioning equipment to control input voltage must be used in order to avoid damage to the ballasts. Contact us for more information.

* Compatible with Autopilot PX Series Digital lighting Controllers running version 1.63 software or later only. (sold separately)

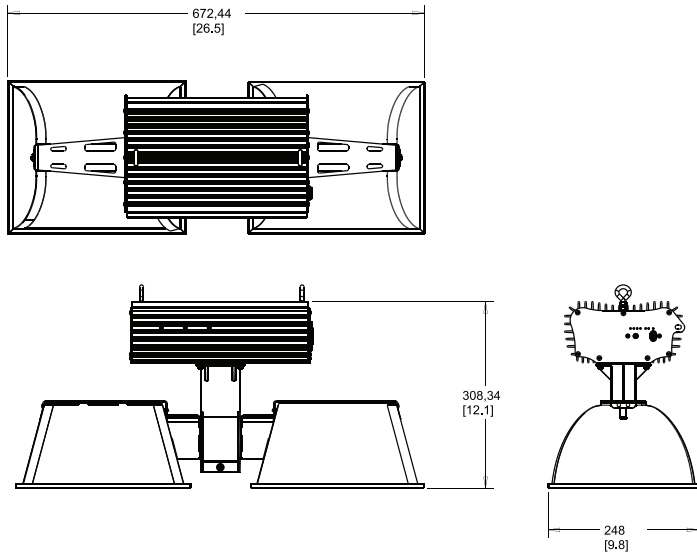
Model Number	Plug Type	Cord Length
PHMH602114	L7-15p 277V	8' Wieland RST 3P Female
PHMH602214	L24-20p 347V	8' Wieland RST 3P Female
PHMH602014	Bare Wire	8' Wieland RST 3P Female

* Options available without lamps

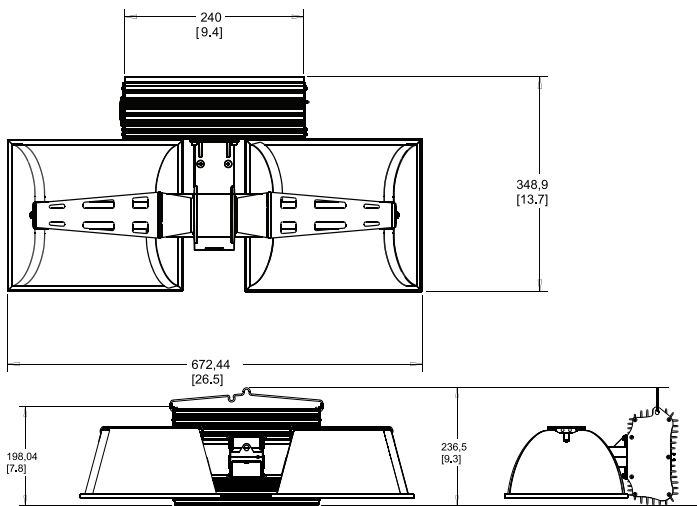


Phantom Dual 315W CMH System

Traditional Ballast Orientation Dimensions



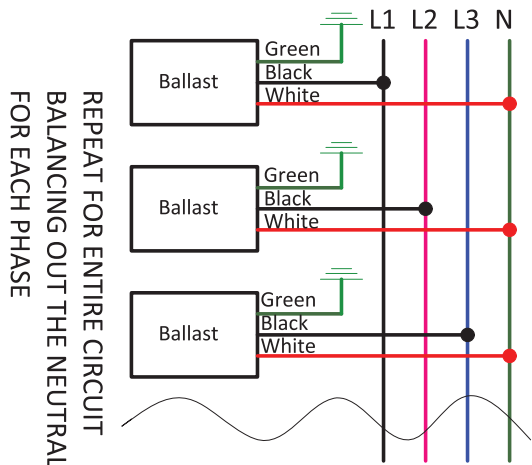
Low Profile Ballast Orientation Dimensions



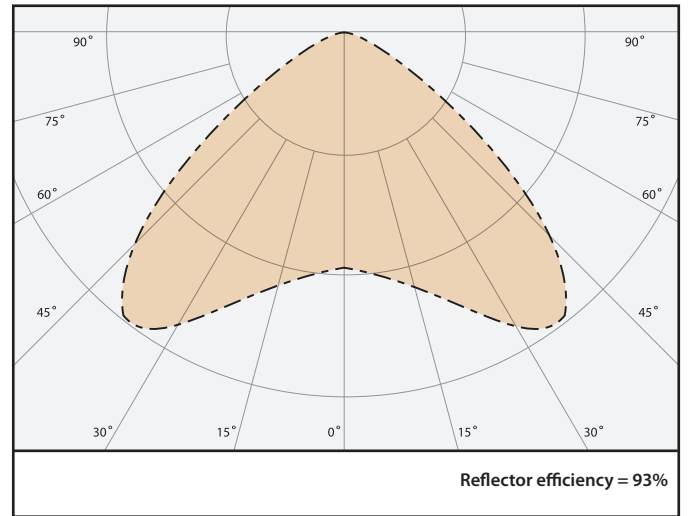
Each ballast **MUST** be wired to the main's neutral line back to the circuit. **DO NOT** "daisy-chain" a neutral line with any other ballast.

277V/347V

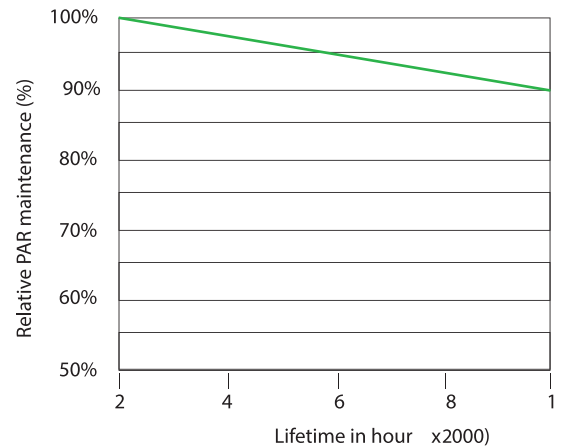
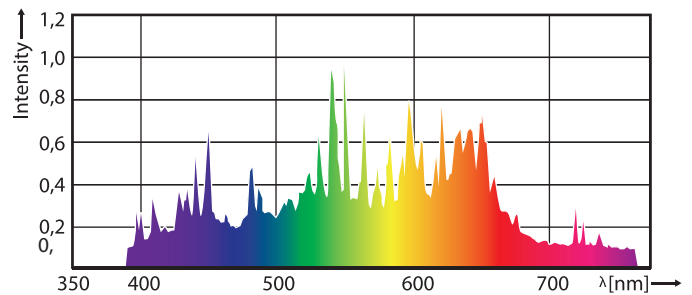
(Supply voltage 480V/600V)



Polar Diagram



Phillips 4200K CHM Lamp



⚠ WARNING: FAILURE TO FOLLOW GUIDELINES COULD RESULT IN ELECTRICAL SHOCK.

Do not touch, move, spray, or clean your light fixture when it is plugged in. Allow it to cool down before handling. Recommended mounting clearance for your fixture is 8"-12" on all sides. Do not mount directly to any surface. Make sure to disconnect the power when changing the lamp. This tech sheet is not in any way a replacement for a technical installation manual. Consult technical installation manual prior to installation.

All rights reserved.

Specifications are subject to change without notice. Trademarks are the property of Hydrofarm.

